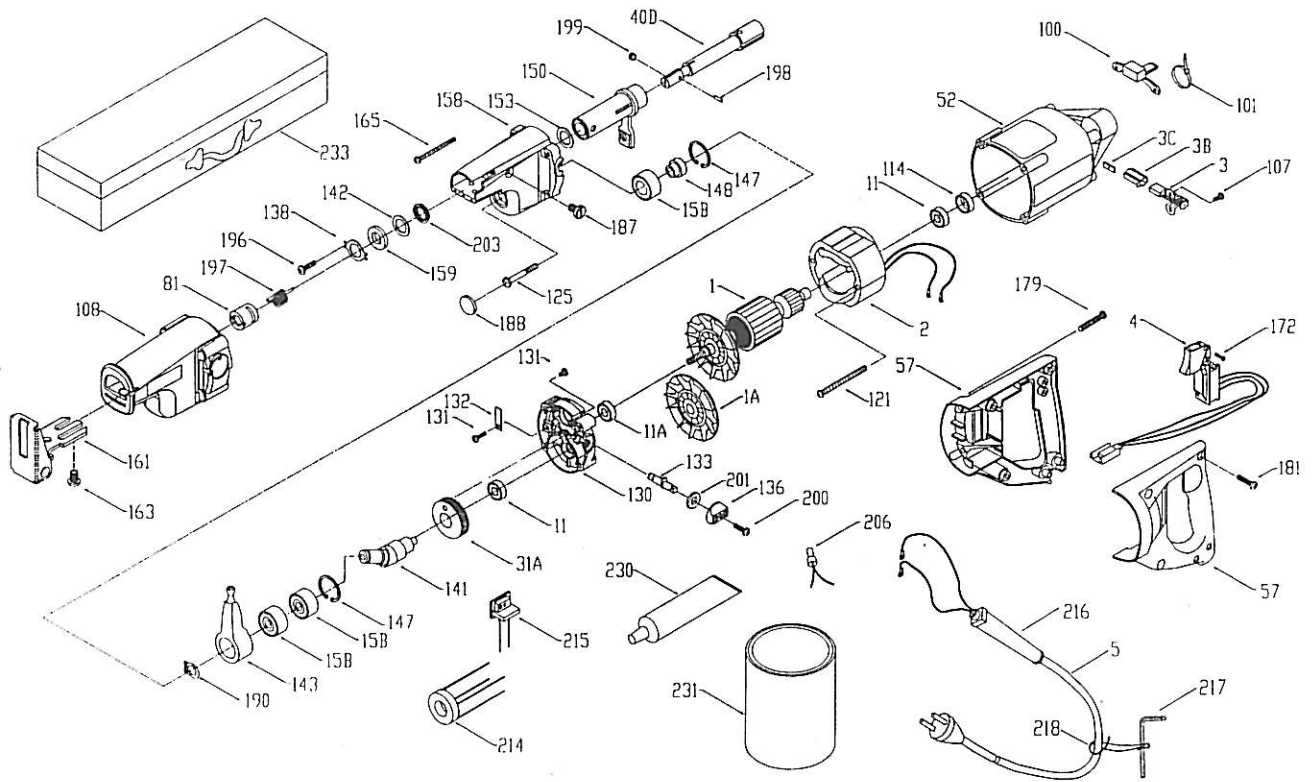


# SK 2902 VV



Printed 08/98

|     |          |          |  |     |          |
|-----|----------|----------|--|-----|----------|
| 1   | 883093   |          |  | 148 | 879429   |
| 1A  | 878948   |          |  | 150 | 883098   |
| 2   | n 889684 | ab 08/98 |  | 153 | 882348   |
|     | 883086   |          |  | 158 | 879423   |
| 3   | 874289   |          |  | 159 | 879457   |
| 3B  | 865323   |          |  | 161 | n 891672 |
| 3C  | 865321   |          |  | 163 | 849235   |
| 4   | 886885   |          |  | 165 | 879463   |
| 5   | 149144   |          |  | 172 | 882185   |
| 11  | 855284   |          |  | 179 | 882188   |
| 11A | 883096   |          |  | 181 | 882189   |
| 15B | 883095   |          |  | 187 | 879408   |
| 31A | 879401   |          |  | 188 | 880952   |
| 40D | 880964   |          |  | 190 | 853246   |
| 52  | 886872   |          |  | 196 | 882255   |
| 57  | 873509   |          |  | 197 | 879460   |
| 81  | 877170   |          |  | 198 | 884696   |
| 100 | 695077   |          |  | 199 | 879442   |
| 101 | 690673   |          |  | 200 | 881937   |
| 107 | 882703   |          |  | 201 | 880994   |
| 108 | 879415   |          |  | 203 | 879459   |
| 114 | 694432   |          |  | 206 | 682063   |
| 121 | 882704   |          |  | 214 | 883502   |
| 125 | 879421   |          |  | 215 | 883501   |
| 130 | 879414   |          |  | 216 | 843464   |
| 131 | 882187   |          |  | 217 | 259648   |
| 132 | 847418   |          |  | 218 | 842323   |
| 133 | 879412   |          |  | 230 | 875914   |
| 136 | 886876   |          |  | 231 | 875667   |
| 138 | 879458   |          |  | 233 | 259555   |
| 141 | 883097   |          |  |     |          |
| 142 | 803207   |          |  |     |          |

## 110V Version

|   |        |
|---|--------|
| 1 | 889650 |
| 2 | 889649 |
| 4 | 889192 |
| 5 | 889202 |